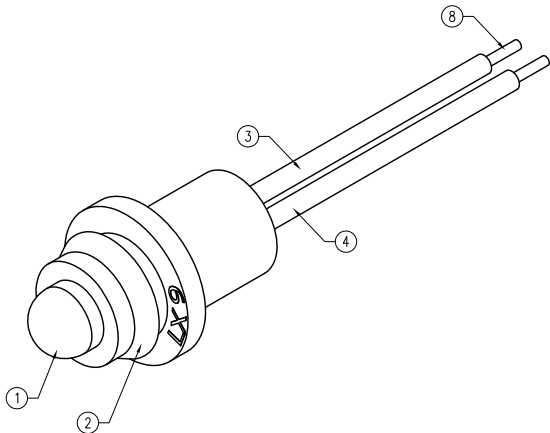
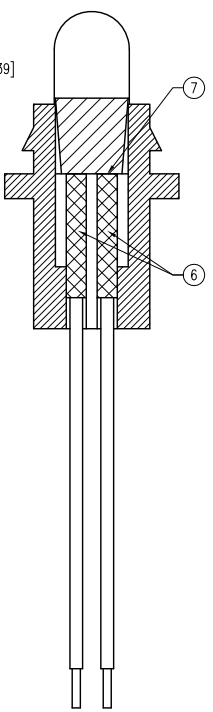
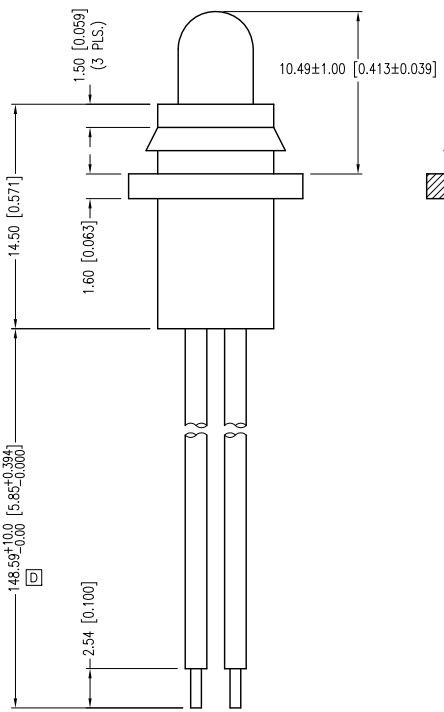
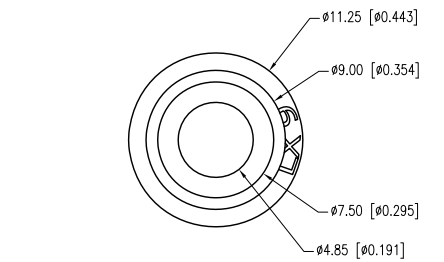


| | | | |
|-------------|-------------------------------------|------|------|
| PART NUMBER | SSI-LXH9UPGCD40587 | REV. | D |
| DATE | E.C.N. NUMBER AND REVISION COMMENTS | | REV. |
| 07.10.99 | E.C.N. #11592. | | A |
| 10.22.09 | E.C.N. #11593. | | B |
| 10.28.09 | E.C.N. #11595. | | C |
| 10.05.12 | E.C.N. #11838. | | D |



ELECTRO-OPTICAL CHARACTERISTICS $T_a=25^{\circ}\text{C}$ $I_f=20\text{mA}$

| PARAMETER | MIN | TYP | MAX | UNITS | TEST COND |
|-----------------|-------------|--------|-----|----------|----------------------|
| PEAK WAVELENGTH | | 525 | | nm | |
| FORWARD VOLTAGE | | 3.7 | 4.1 | Vf | |
| REVERSE VOLTAGE | 5.0 | | | Vr | $I_r=100\mu\text{A}$ |
| AXIAL INTENSITY | | 14,000 | | mcad | $I_f=20\text{mA}$ |
| VIEWING ANGLE | | 30 | | 2x theta | |
| EMITTED COLOR: | GREEN | | | | |
| LENS FINISH: | WATER CLEAR | | | | |

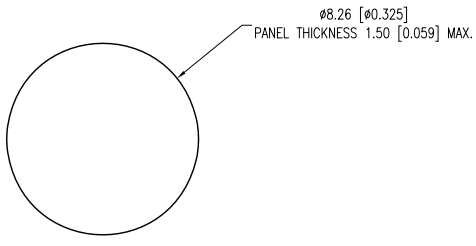
LIMITS OF SAFE OPERATION AT 25°C

| PARAMETER | MAX | UNITS |
|-----------------------|------------|-------|
| PEAK FORWARD CURRENT* | 150 | mA |
| STEADY CURRENT | 30 | mA |
| POWER DISSIPATION | 120 | mW |
| DERATE FROM 25°C | -1.2 | mW/°C |
| OPERATING TEMP. | -40 TO +85 | °C |
| STORAGE TEMP. | -40 TO +85 | °C |

* $t < 10\mu\text{s}$

- NOTES:**
1. SSL-LX509F3UPGC/D, GREEN LED.
 2. SSH-LXH9, BLACK HOUSING.
 3. ANODE LEAD: LXP-WST26GRTOC, 26 AWG STRANDED, GREEN INSULATION, CUT 155mm LONG, STRIP 2mm & 2.54mm.
 4. CATHODE LEAD: LXP-WST26BLTOC, 26 AWG STRANDED, BLACK INSULATION, CUT 155mm LONG, STRIP 2mm & 2.54mm.
 5. CRIMP OR SOLDER WIRE LEADS TO LED LEADS.
 6. LPX-HEATSHRINK-2, 10mm (2 PCS).
 7. LPX-HEATSHRINK-6/2, 7mm.
 8. STRIPPED 2.54mm & TIN DIPPED.

PANEL CUTOUT



*UNLESS OTHERWISE SPECIFIED TOLERANCES PER DECIMAL PRECISION ARE: X=±1 (±0.039), X.X=±0.5 (±0.020), X.XX=±0.25 (±0.010), X.XXX=±0.127 (±0.005). LEAD SIZE=±0.05 (±0.002), LEAD LENGTH=±0.75 (±0.030). MIN= +DECIMAL PRECISION MAX.= +0.00 -0.00 DECIMAL PRECISION

LUMEX
 Creating LED and LCD Solutions Together™

425 N. GARY AVE.
 CAROL STREAM, IL 60188-4900
 PHONE: +1.800.278.5666
 FAX: +1.630.315.2152
 WEB: WWW.LUMEX.COM
 MEMBER OF ITW PHOTONICS GROUP

QUASARBRITE T-5mm 525nm GREEN LED PANEL INDICATOR, WATER CLEAR LENS, 6.25" WIRE LEADS.

THE SPECIFICATIONS MAY CHANGE AT ANY TIME WITHOUT NOTICE DUE TO NEW MATERIALS OR PRODUCT IMPROVEMENT.

CONFIDENTIAL INFORMATION
 THE INFORMATION CONTAINED IN THIS DOCUMENT IS THE PROPERTY OF LUMEX INC. EXCEPT AS SPECIFICALLY AUTHORIZED IN WRITING BY LUMEX INC., THE HOLDER OF THIS DOCUMENT SHALL KEEP ALL INFORMATION CONTAINED HEREIN CONFIDENTIAL AND SHALL PROTECT SAME IN WHOLE OR IN PART FROM DISCLOSURE AND DISSEMINATION TO ALL THIRD PARTIES.

| | | | |
|--------|-----------|-----------|----|
| DATE: | 10.05.12 | DRAWN BY: | AB |
| PAGE: | 1 OF 1 | CHKD BY: | SS |
| SCALE: | NTS | APRVD BY: | SS |
| UNIT: | mm [INCH] | | |